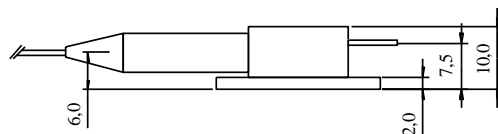
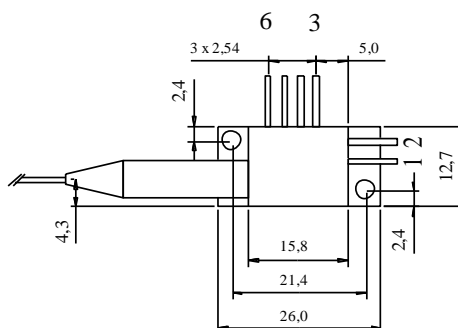


| Model                       |      | M981±0.5-7-F105/22-T1-P |           |      |
|-----------------------------|------|-------------------------|-----------|------|
| Optical                     | Unit | Min                     | Typical   | Max  |
| Output power (exit fiber)*  | W    |                         | 7.0       |      |
| Wavelength Peak             | nm   | 980                     | 981       | 982  |
| Spectral width (FWHM)       | nm   |                         |           | 0.5  |
| Fiber                       |      |                         |           |      |
| Core diameter               | µm   | 102                     | 105       | 108  |
| Cladding diameter           | µm   | 122                     | 125       | 128  |
| Numerical aperture          |      | 0.20                    | 0.22      | 0.24 |
| Length                      | m    | 0.9                     | 1.0       | 2.0  |
| Connector (Optional)        | -    |                         | SMA905    |      |
| Electric*                   |      |                         |           |      |
| Threshold current           | A    |                         | 0.7       |      |
| Operating current           | A    |                         | 9.0       | 10.0 |
| Operating voltage           | V    |                         | 1.56      | 1.60 |
| Slope efficiency            | W/A  |                         | 0,80      |      |
| Power conversion efficiency | %    |                         | 50        |      |
| Accessories                 |      |                         |           |      |
| Thermistor                  | kΩ   |                         | 10k@25°C  |      |
| Absolute Ratings            |      |                         |           |      |
| Colling plate temperature   | °C   |                         | 20 – 30   |      |
| Operating humidity          | %    |                         | < 75      |      |
| Storage temperature         | °C   |                         | -20 – +80 |      |
| Soldering temperature       | °C   |                         | 250 (10s) |      |

\* Data specified at 25°C cooling plate.



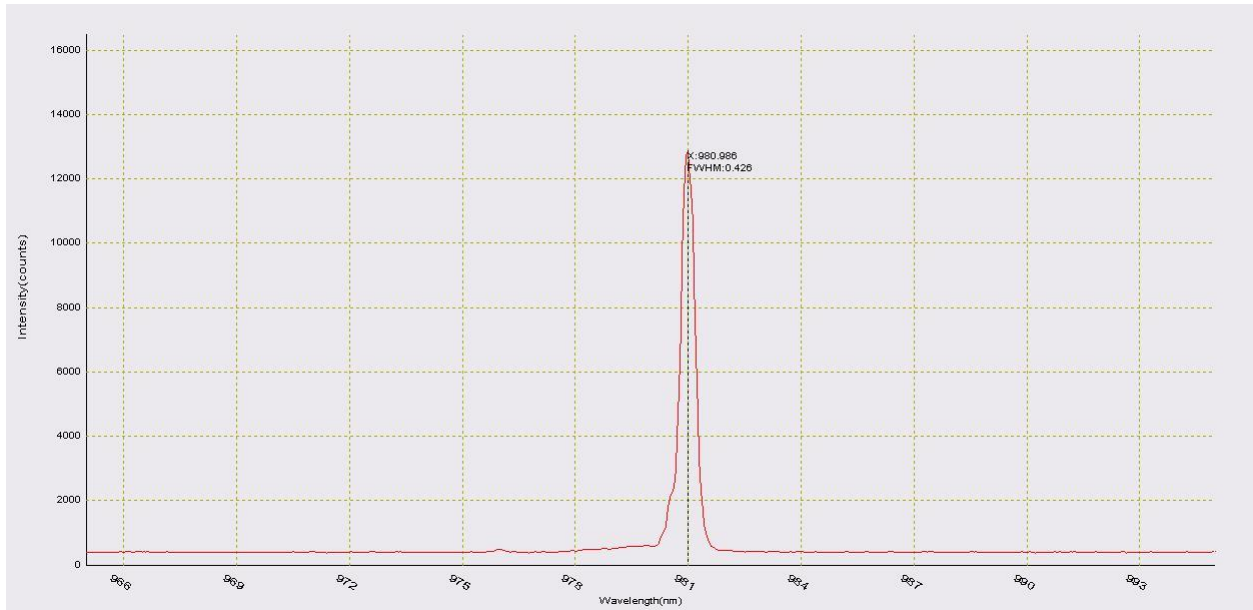
| Pinouts |            |
|---------|------------|
| 1       | LD Anode   |
| 2       | LD Cathode |
| 3       | Thermistor |
| 4       | Thermistor |
| 5       | PD Cathode |
| 6       | PD Anode   |



**Compliance with Regulatory Requirements:** This industrial laser is an OEM version of a laser diode. As such, it is intended only for integration into other equipment. This laser does not comply with IEC and CDRH requirements. The customer is responsible for IEC and CDRH certifications of the system that incorporates this industrial laser.



### Spectrum



### P-I curve

