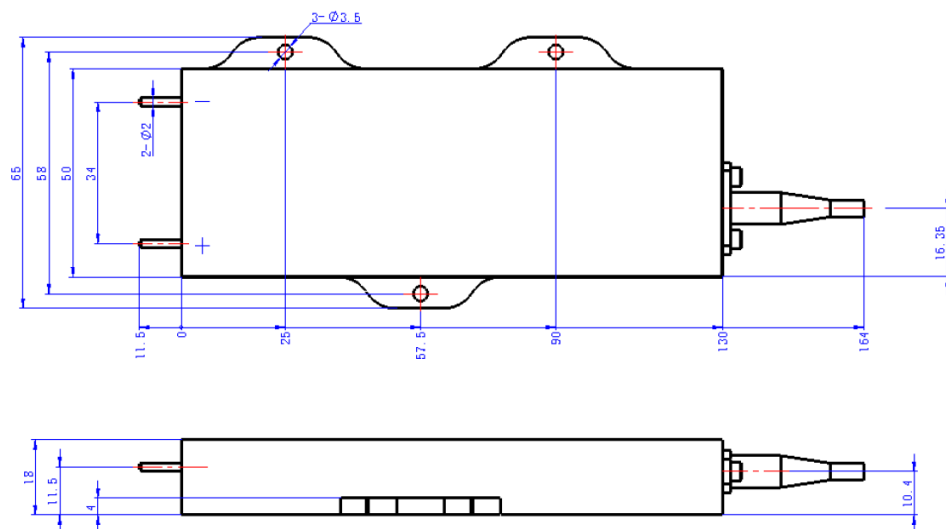


Model	M915±10-F135/22-HC360			
Optical	Units	Min	Typical	Max
Output Power (exit fiber)	W	290	300	350
Central Wavelength	nm	905	915	925
Spectral Linewidth (FWHM)	nm		6.0	
Back Reflection Isolation 1040-1100nm	dB	30		
Slope efficiency	W/A	17.0		
<b>Optical Fiber</b>				
Core Diameter	µm	133.5	135	136.5
Cladding Diameter	µm	154	155	156
Numerical Aperture	-	0.20	0.22	0.24
Length	m		1.5	
Connector (optional)	-		SMA905	
<b>Electric *</b>				
Threshold Current	A		1.35	
Operating Current	A		18.0	20.0
Operating Voltage	V		28.9	29.4
Power Conversion Efficiency	%		56	
<b>Absolute Ratings</b>				
Operating (Housing) Temperature	°C		32	
Waste Heat	W		260	
Operating Humidity	%		< 75	
Storage Temperature	°C		-20 – +80	

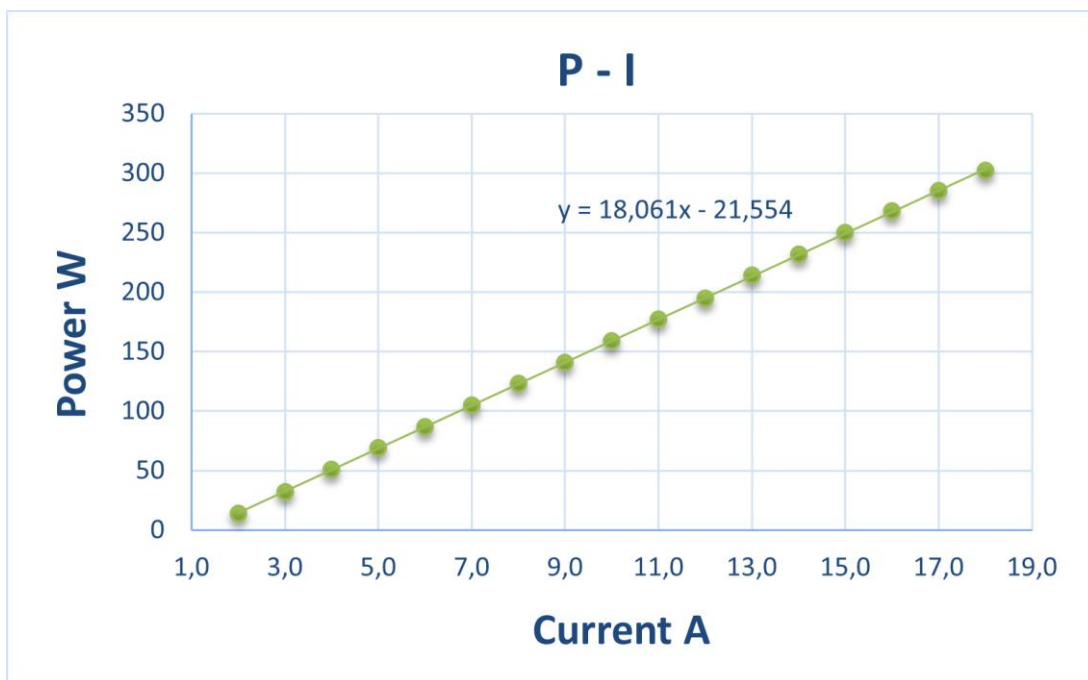
\* Measured on 20°C cooling plate at 18A. LST-GTM-100 is used as thermal material.



**Compliance with Regulatory Requirements:** This product is an OEM laser diode and is not certified in accordance with IEC 60825-1 or 21CFR1040.10/21CRR1040.11. As such, it is intended only for integration into a laser product certified by the Purchaser. The Purchaser acknowledges that their products must comply with the applicable regulations before it can be sold.



### Power – Current



### Spectrum

