

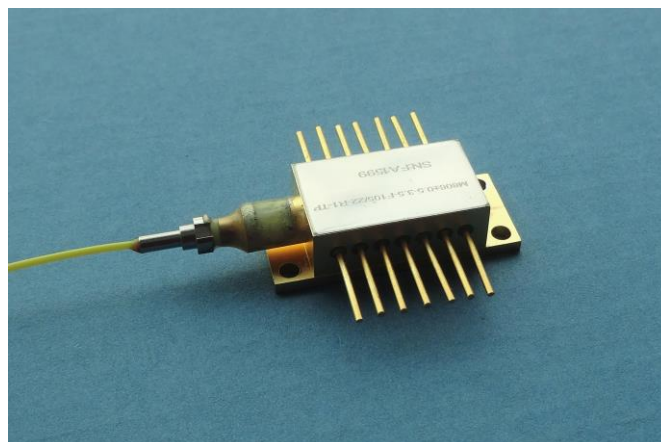
## 808nm Wavelength Stabilized Laser Diode

### Features

- 3.5W output power
- 105µm fiber core
- TEC, photodiode and thermistor

### Application

- Solid-state laser pumping



Model		M808±0.5-3.5-F105/22-R1-TP			
Optical	Unit	Min	Typical	Max	
Output power	W	3.0	3.5		
Central wavelength	nm	807.0	808.0	809.0	
Spectral width (FWHM)	nm		0.4	0.6	
Fiber					
Core diameter	µm	102	105	108	
Numerical aperture	-	0.20	0.22	0.24	
Length	cm	48.5	50.0		
Connector	-		SMA905		
Electric *					
Threshold current	A		0.9	1.0	
Operating current	A		4.4	5.0	
Operating voltage	V		1.90	1.95	
Slope efficiency	W/A		1.0		
Accessories					
TEC	-		2.2A/8.7V		
Thermistor	Ω		10k@25°C		
Absolute Ratings					
Operating (thermistor) temperature	°C		30 – 40		
Operating humidity	%		< 75		
Storage temperature	°C		-20 – +80		

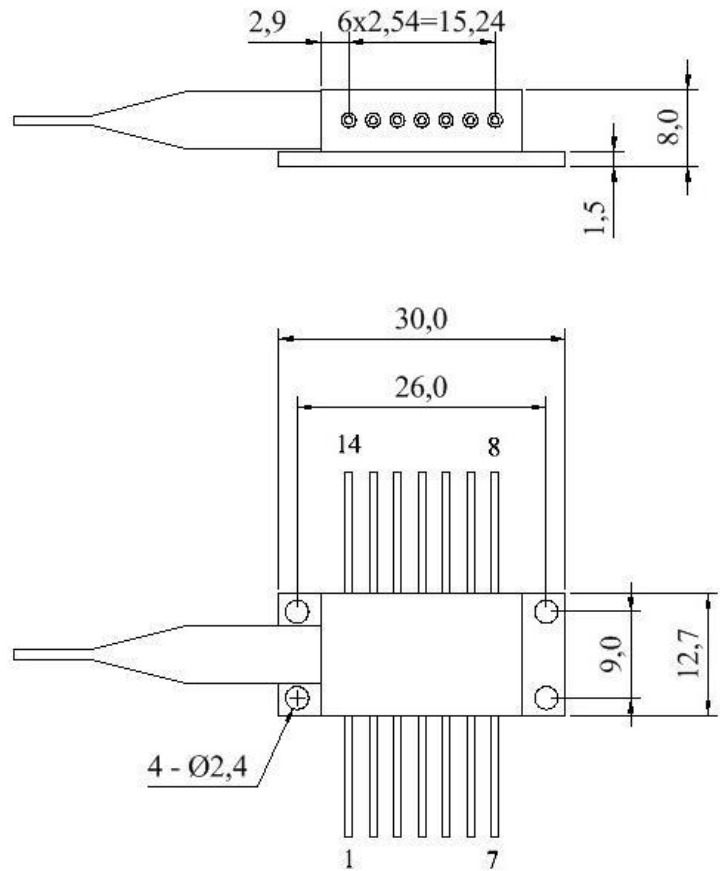
\* At 30°C thermistor temperature

**Compliance with Regulatory Requirements:** This industrial laser is an OEM version of a laser diode. As such, it is intended only for integration into other equipment. This laser does not comply with IEC and CDRH requirements. The customer is responsible for IEC and CDRH certifications of the system that incorporates this industrial laser.



## Package dimension (mm)

Pinouts	
1	TEC anode
2	Thermistor
3	Photodiode P
4	Photodiode N
5	Thermsitor
6	-
7	-
8	-
9	-
10	Laser diode anode
11	Laser diode cathode
12	-
13	Case
14	TEC cathode



## Spectrum

